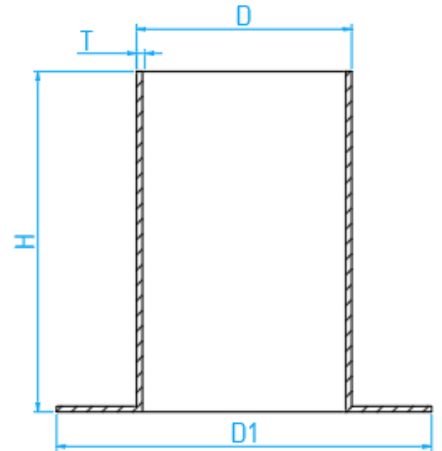


STAINLESS STEEL 316L PRESS FIT FITTINGS

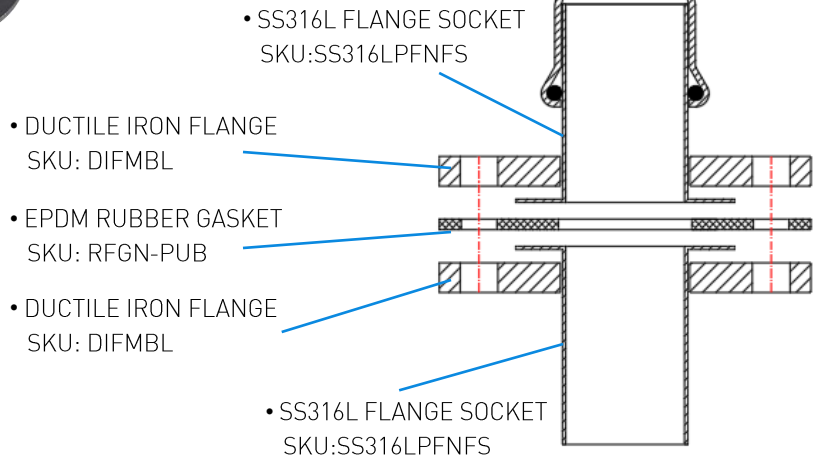
COMPLY WITH BSEN1254-2: 1998
AS/NZS 4020: 2005



FLANGE SOCKET



CROSS SECTIONAL VIEW



INSTALLATION ASSEMBLY

DIMENSIONS

SKU	DN (mm)	D (mm)	D1 (mm)	H (mm)	T (mm)	WEIGHT (kg)	PCS/CTN
SS316LPFNFP042	42	42.07	97	90	1.5	0.261	30
SS316LPFNFP050	54	54.07	107	100	1.5	0.352	45
SS316LPFNFP065	67	66.75	127	140	1.5	0.619	19
SS316LPFNFP080	76	76.30	142	150	2.0	0.665	14
SS316LPFNFP100	108	108.25	160	190	2.0	1.223	8